

THIS DRAWING IS UNPUBLISHED.

RELEASED FOR PUBLICATION

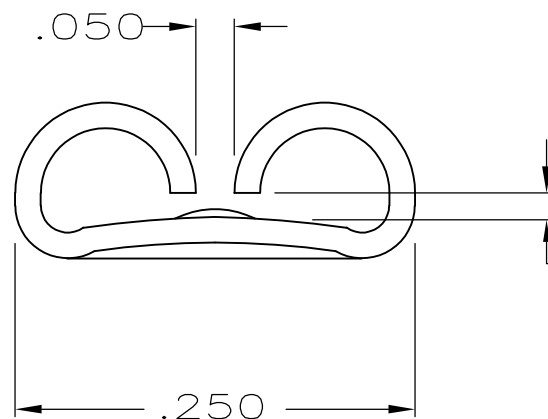
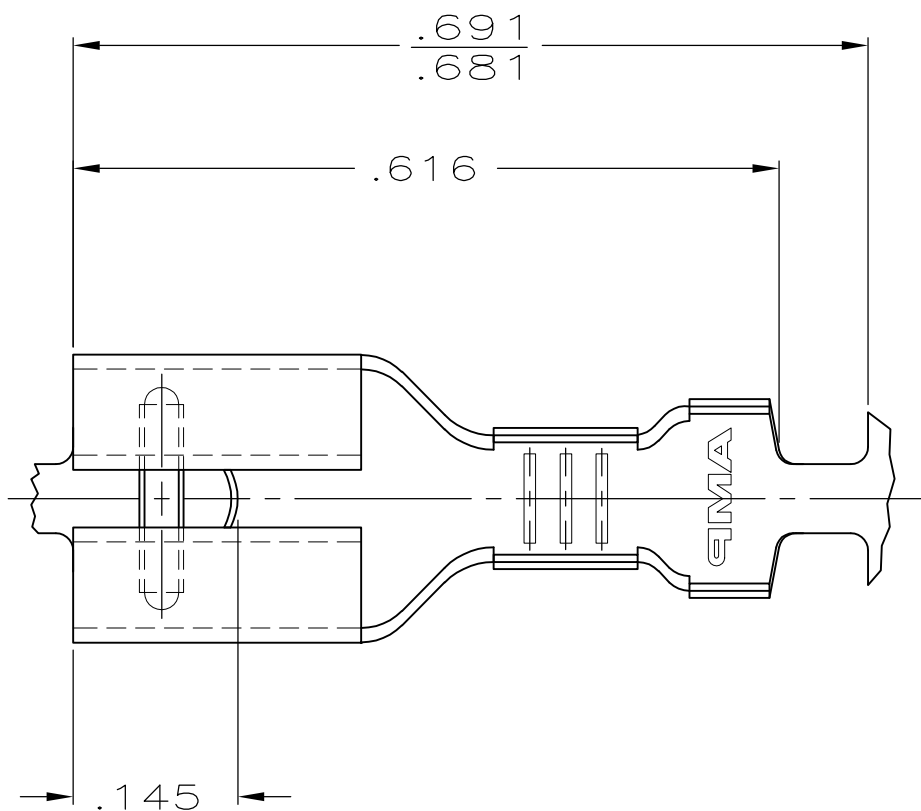
ALL RIGHTS RESERVED.

© COPYRIGHT - By -

LOC AF DIST 50

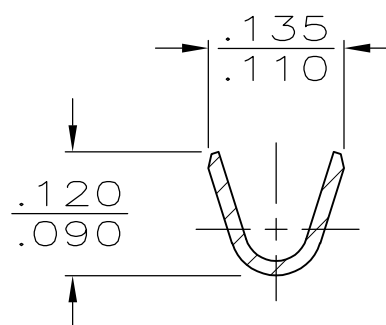
REVISIONS

P	LTR	DESCRIPTION	DATE	DWN	APVD
	U	REVISED PER ECR-12-013445	09NOV12	KH	PD

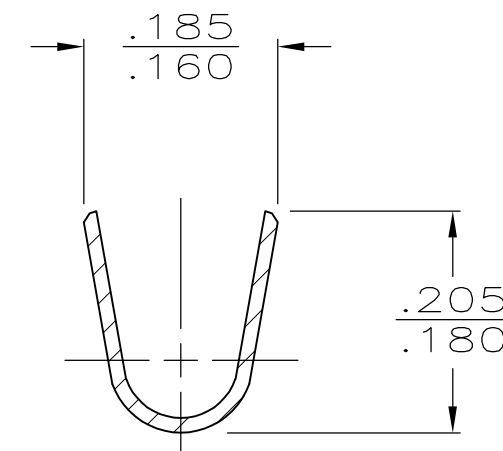


FITS '205' SERIES FASTON TAB

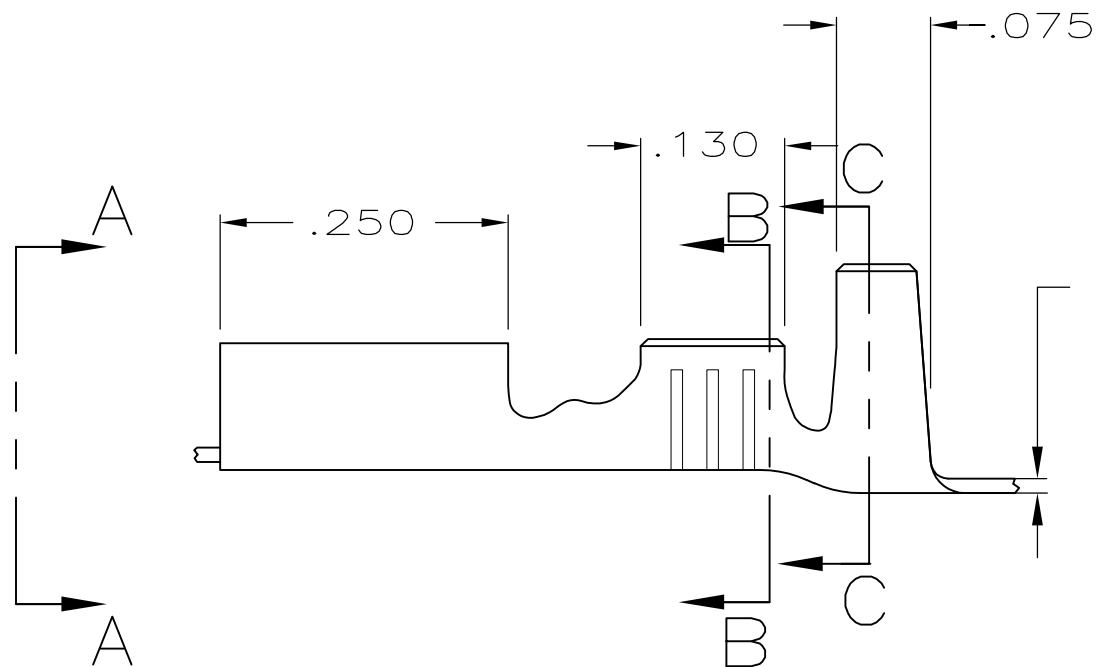
VIEW A-A



SECTION B-B




SECTION C-C



.012±.001

TIN	NONE	.020	22-18	.085-.125	42710-2
FINISH	NONE				42710-1
		MATING TAB THK ±.001	WIRE SIZE	INSULATION RANGE	PART NUMBER

THIS DRAWING IS A CONTROLLED DOCUMENT.		DWN JR RUTH 2/24/89	 TE Connectivity RECEPTACLE, FASTON, .205 SERIES				
DIMENSIONS: INCHES		CHK P FORTNEY 2/24/89					
TOLERANCES UNLESS OTHERWISE SPECIFIED:		APVD C MEYERS 2/24/89					
0 PLC ± - 1 PLC ± - 2 PLC ± - 3 PLC ± .015 4 PLC ± - ANGLES ± -		NAME					
MATERIAL BRASS		FINISH SEE TABLE	PRODUCT SPEC	SIZE A3	CAGE CODE 00779	DRAWING NO C-42710	RESTRICTED TO
CUSTOMER DRAWING			WEIGHT -	SCALE 6:1	SHEET 1 OF 1	REV U	